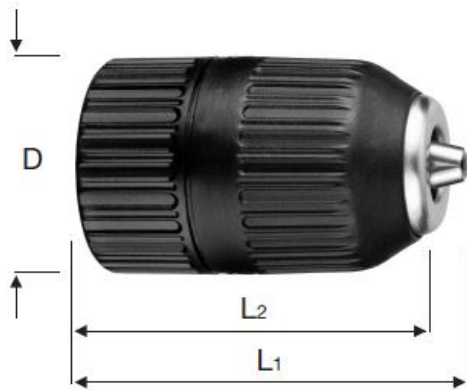


KEYLESS CHUCKS FOR REVERSING PERCUSSION POWER TOOLS

■ Art. 10150



Keyless Chucks. Suitable for REVERSIBLE and PERCUSSION Power Tools and also for Cordless Drills and Screwdrivers

Drilling capacity mm	D mm	L1 mm	Mount
2 ÷ 13	42,7	69	Female thr. / 3/8 x 24
2 ÷ 13	42,7	69	Female thr. / 1/2 x 20